

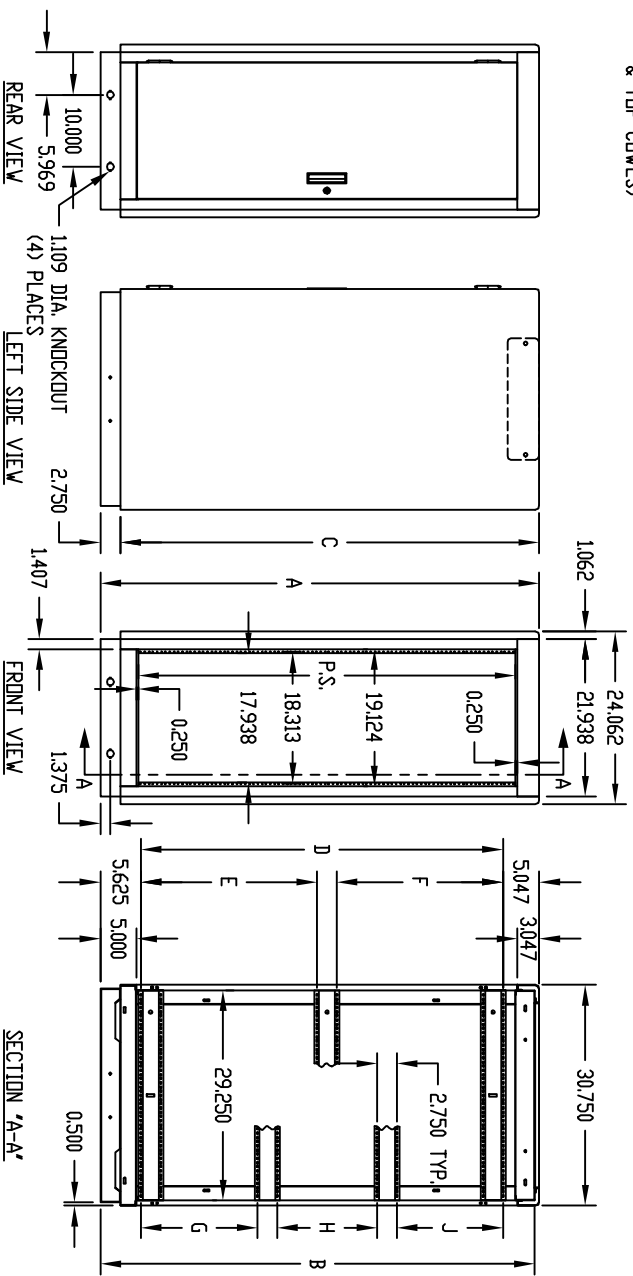
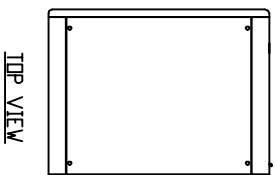
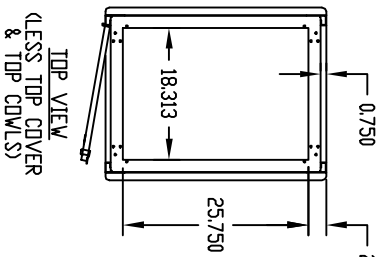
PART NAME SERIES 30 UPRIGHT CABINET RACK

PART NO. 30-2300 TD 30-2306

REV. DATE 1-2-02

FINISH:  
 FRAME ASSEMBLY, DOOR, SIDES,  
 TOP COWLS & TOP COVER \_\_\_\_\_ GRAY TEXTURE DR  
 ROYAL BLUE TEXTURE  
 PANEL MOUNTING RAILS \_\_\_\_\_ SMOOTH BLACK

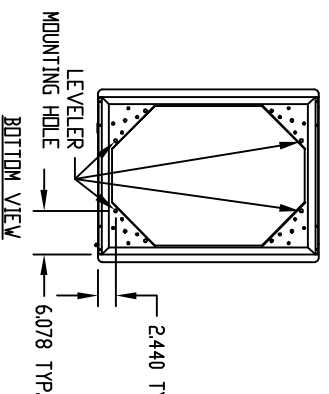
MATERIAL:  
 PANEL MOUNTING RAILS \_\_\_\_\_ 12 GA. STEEL  
 FRAME TOP, BASE ASSEMBLY,  
 FILLERS & VERTICAL RAILS \_\_\_\_\_ 14 GA. STEEL  
 RAIL SUPPORTS \_\_\_\_\_ 16 GA. STEEL  
 TOP COWLS, TOP COVER & SIDES \_\_\_\_\_ 18 GA. STEEL  
 DOOR \_\_\_\_\_ 20 GA. STEEL



PANEL MOUNTING RAILS (FRONT & REAR)  
 ARE TAPPED #10-32 ON E.I.A. UNIVERSAL  
 SPACING AND ARE FULLY ADJUSTABLE.

BOTTOM PIERCED FOR MOUNTING RC-7758 CASTERS.

LOAD RATING: 1200 LBS. MAX.



PART No.	P.S.	A	B	C	D	E	F	G	H	J
30-2300	21.000	29.625	29.000	26.875	18.937					
30-2301	31.500	40.125	39.500	37.375	29.437					
30-2302	42.000	50.625	50.000	47.875		19.281	17.906			
30-2303	52.500	61.125	60.500	58.375		24.531	23.156			
30-2304	61.250	69.875	69.250	67.125		28.906	27.531			
30-2305	70.000	78.625	78.000	75.875		33.281	31.906			
30-2306	78.750	87.375	86.750	84.625				25.125	22.312	23.750